

# MUFON of Ohio Newsletter

## Supplement

Summer 2006

Published by:

The Mutual UFO Network of Ohio, Inc.  
PO Box 517  
Sunbury, Ohio 43074-0517

## Introduction

This publication supplements our Summer 2006 issue of the MUFON of Ohio Newsletter that is a re-printing of a rare and informative issue of the Flying Saucer Investigative Committee of Akron, Ohio's *FSIC Bulletin* for October 1964 – February 1965, Vol. 2, No. 1. These two publications will be mailed together.

This report of a UFO landing in Texas was found in the files of the late Kenny Young of Cincinnati, Ohio, one of Ohio's most active, objective and prolific UFO investigators of the 1990s. MUFON of Ohio obtained some of Kenny's files from Ms. Donnie Blessing, also of Cincinnati, Ohio who asked that we find an archive to preserve and make Kenny's files available for future research purposes. That process is underway. When I read this report I felt that it should be made more widely available, which is the reason we are providing it to our membership in this way.

There is nothing in Kenny's files that indicates the witnesses of the reported event wish to remain anonymous. However, we ask that you not provide a copy of this report to others without noting that the witnesses and the investigators may want their identities used with discretion.

We hope you find this report to be of interest. Providing unusual and hard to get UFO information to our members is one of our objectives.

William E. "Bill" Jones  
MUFON State Director for Ohio

September 2006

## UFO Landing in Tornillo - Spring 1996

---

**Subject:** Following a 2 ½ hour power outage in a pecan farm, a 32 foot diameter annular ring was found on the ground.

**Type of Report:** General

**Date of Report:** February 2, 1998

**Date of UFO Incident:** March 1995

**Time of UFO Incident:** 2:00 to 3:00 AM MST

**Location of Incident:** Tornillo, Texas, 20 miles east of El Paso  
Pecan Farm (5 miles east of Tornillo) in Old Highway

**Local Evaluation:** Significant

**Investigator:** A.F. Rullan, MUFON Investigator  
Yolica Stone, MUFON Investigator  
El Paso, Texas, MUFON

**No. of Witnesses:** 2 independent witnesses for Power Outage  
More than 10 independent witnesses to ring

**Main Witness:** Owner of Pecan Farm  
Alan Borrego, age 40

**Date of Interview:** July 13, 1997 (9:30-10:30 AM)

### **Sighting Background:**

The main witness and owner of the pecan orchard, where the incident took place, was a friend of a coworker of Yolica Stone. Yolica asked if she could call him and arrange a meeting. After talking to Yolica over the phone, the witness agreed to be visited at his farm. On Sunday, July 13, 1997, three members of MUFON visited Alan at his place (Yolica Stone, Tony Rullan, and Dr. Sal Gonzalez). We talked to him for about an hour (from 9:30 until 10:30 AM), took pictures of the site and general area, and audio-taped his account of what happened there on March of 1995.

### **Eyewitness Description of Incident:**

The main eyewitness owns a pecan grove in Tornillo, Texas. At the time of this incident, he was 38 years old. Besides growing pecans he also had a horse boarding business on his property. He hires several men to help him work the pecan fields and horse boarding business. Some of these men live on his property.

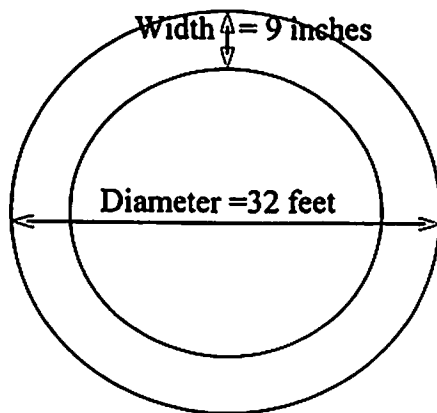
The eyewitness and his girlfriend arrived home from vacation late one Friday night on March 1995. They arrived home late and he fell asleep on his chair in the den. At around 2 to 3 AM, he was awoken by his barking dogs. He owns between 7 and 10 dogs. He put his slippers and went out right away because he was concerned that his dogs were after a pregnant mare that was expecting. He also felt, based on listening to his dogs for years, that the dogs were barking in a circle. Perhaps, he thought, the mare gave birth and the dogs were circling the newborn. He stepped out of his house to see what was going on. When he stepped out he whistled for his dogs and they all started coming towards him.

He walked towards his horse barn that had a flood light switch box on its side. He turned the flood lights in order to see the whole horse barn area. He looked for the mare and was surprised to see that his horse was still pregnant. He thought that the dogs were barking and going after the baby. He went back to the switch box and turned the lights off. He does not remember walking from the switch box back to this house (which is about 50 ft

away). Then he walked into his house, turned the lights switch on and noticed that there was no power in the house. He was tired and went to bed.

The next morning he had to reset his VCR and several digital clocks that showed that the lights were off for about 2.5 hours the night before. The next day, Saturday, he had to wake up early because he had clients coming in to ride horses on his corral. He was busy most of the day with horse boarders who came to ride for the weekend. In the afternoon, he took a walk to relax and to take a look at the goat and sheep. He walked over to the goat area when he suddenly discovered a ring on his property.

The ring was lay down on grass and its outer circle was about 32 feet in diameter. The ring was about 9 inches wide. He noticed that the ground was pressed down to less than 1/4 inch but more than 1/8 of an inch to a depth that was the same all around regardless of the contour of the land. His first thought was that a motorcyclist had gotten into his property (while he was gone on vacation) and rode around in a circle. Concerned, he wanted to talk to his workers. At around 10 PM that Saturday, he asked two of his workers to see if they new of anything that went on his property. They told him that there was no ring there the day before. One of his workers talked to his wife and she confirmed that the lights went off the night before. We asked the owner whether he thought the ring could be a fungus and he said no because fungus don't compress the earth as this ring did.



After discussions with his workers, he made the connection between incident the night before with the dogs barking and the power outage with the ring. He thought that maybe a flying saucer landed on his property on Saturday around 3 AM. He was concerned and wanted to report the incident to somebody. He called the El Paso Police Department and told them he wanted to report a UFO landing. They laughed and told him to call the Airport Tower or the Military Police. He did not want to call the military so he called the Airport Tower. At about 12 midnight, he called the airport and the airport told him to call a toll free number that was not an 800# but instead it was 808 or 818.

He called the toll free number at about 2 AM on Sunday and a guy picked up the phone. This guy did not identify himself or his organization. He just answered "yes". After giving a brief description of the ring, the guy asked for the location. After hearing the location he said that he knows that area and that a cattle mutilation happened there the week before. This guy wanted to get a team there right away and told the witness that he could get a team there in 3 to 4 hours. He did not say where they were coming from. The eyewitness guesses that they were from Albuquerque because that is about 4 hours away and Kirtland AFB is located in Albuquerque. He felt that he was military because he sounded very professional and asked the right questions.

The eyewitness told them that he did not want them to visit that day because he was busy and had horse boarders coming early in the morning. He told them that he would call them back and agree on a date in time later. He never called them back but they showed up anyway at 9AM the next morning. The fact that they showed up unannounced or uninvited gave him the impression that these people were military.

Before the UFO Agency Team showed up, however, boarders showed up at 7 AM to ride their horses and train. One of the boarders was a friend of his, Mark a businessman from El Paso, who was videotaping his daughter and friends riding horses. The eyewitness showed the ring to Mark and he decided to videotape it. Mark was there for about an hour and left to take his friends to the Airport. They left by 8 AM.

At 9 AM, two silver vans showed up and parked behind his house up to the area where the horse barn is located. The vans were of the old type (not mini-vans) the big ones like the ones use in fleets or in the military. He did not notice whether their auto plates were from Texas or New Mexico. Eight people got off the vans (two women and six men) and they looked as if they have been driving for awhile. Immediately the eyewitness concluded that these must be the people he talked to early that morning. None of them wore uniforms and they never identified themselves. A couple of them had white baseball caps. The two women wore slacks and short hair. One of them was about 28 years old and the other was in her forties. The men were all in their 40's or 50's. They carried black attaché cases and immediately started taking grass and dirt samples from the ring and putting them in marked plastic bags. They also took pictures of the site.

Before they left they asked the eyewitness whether anybody had taken pictures. He said that a friend, Mark, had taken a videotape of the ring that morning. They immediately asked for Mark's phone number so as to get a copy of the video. They were pushy and aggressive so the eyewitness called Mark and asked him if it was O.K. to give his phone number to these people and he said yes. They called Mark right away and asked if they could borrow his video to make a copy. Mark accepted and they visited him in the afternoon and took the video.

The next day Mark visited the eyewitness and told him that they never returned the video nor called him to let him know what happened. They had claimed that they would return the video that same day. While the ring on the ground lasted for 4 months, nobody took another videotape or picture of it. Nobody thought that it was that important.

The eyewitness never heard of this UFO Team until March 1996 (six weeks after the incident) the day of the lunar eclipse. That day at 6 AM his mare gave birth. At about 6:30 PM, the older woman of the two who had visited him, called to see if he had had any other incidents. She identified herself from an organization called "Clear Water ?" or

“Clearance?”. She asked about the mare and asked If the mare had given birth yet. He thought this question was odd, because he always felt that the UFO was after the baby horse.

**Timeline for Eyewitness:**

<b>Date/Time</b>	<b>Description of Event</b>
Friday, Night	Arrives home late (maybe midnight)
Saturday 2:00 AM	Awakened by barking dogs, goes outside house to check horses, house lights go out. Lost power for 2.5 hours.
Saturday, afternoon	Discovers 32 ft ring on his land
Saturday 10:00 PM	Talks to two of his workers. One says his wife noticed light went out last night.
Saturday, 24:00 PM	Calls police and airport to report UFO landing.
Sunday, 2:00 AM	Call UFO investigating agency to report landing, they want to show up in 3 to 4 hours.
Sunday, 7:00 AM	Horse boarders who are riding that morning notice ring and videotape it.
Sunday, 9:00 AM	UFO agency arrives unannounced and proceed to take samples.
Sunday, afternoon	UFO agency visits his friend Mark and take his videotape

**Additional Witness Check:**

No other eyewitnesses have been interviewed. We would like to talk to Mark and some of the men in the field, but we have not made contact with Alan since July.

**History of Other Sightings at the Pecan Farm:**

There have been 3 other UFO incidents on his farm besides the UFO ring from 1995. One incident occurred in 1975 and the two other incidents occurred in the 1990's. All three of these incidents have been close encounter sightings of big bright lights above the farm. None of them involved a landing.



### **1975 Incident:**

In June of 1975, the witness was 18 years old and the farm belonged to his father. He was irrigating the pecan orchard at around 3 AM. He was near the ditch where the water valve was located when he saw a bright light above a light pole. The light pole was inside his property about 100 ft from him. The light was of blue-green color and moved like Jell-O. He could see the reflection of the object in the water and could tell that it was not just a flood light but an object with intense light around it. Shortly after noticing the light, it moved 300 ft up in the air. He shut down the water valve to reduce the noise from the running water and to determine whether it was a helicopter. Nevertheless, when he turned the water off, he could not hear a sound from this object. From its location of about 30 ft up in the air, the object moved almost instantaneously towards his house (which was about 100 ft from the object). The witness did not see the object move or does not remember seeing it move. The witness was not afraid of it. He first thought it was a helicopter but he did not hear anything. When the object was over the house, it blinked out and disappeared.

### **1992 Incident:**

In 1992, the witness was single and living alone in the house. He had recently repurchased the property and was covering his bedroom windows with moving blankets. At 3 or 4 AM one morning on April, he was woken up by his dogs barking. He could not see anything thru his curtains so he pulled them back to see what was going on. While he was looking thru his window he noticed that suddenly the outside light-post turned on. He was surprised because that light should have been on in the first place. Those light come on and off with the sunlight using photocells. Therefore for that light to have been off, another light as bright as sunlight should have been on. The following morning, Monday, he met one of the men who work on his farm (Pilar). He asked if anything happened. Pilar did not find anything out of the ordinary but the next day on Tuesday morning, Pilar told him that there was something read bad going on his farm. Pilar told

him that on Monday night, dogs were barking also on Pilar's house (next door to the eyewitness). Pilar woke up, went out of his house to check out why the dogs were barking and all of a sudden all lights on his house turned on.

**1996 Incident:**

On March of 1996 at 2 AM, a big light came over his house. It was witnessed by a man who was irrigating the pecan orchard. The witness was at the same location (water valve at irrigation channel) where the owner was in 1975 when he saw a light over the farm. Ever since this incident, the witness refuses to irrigate by himself at night anymore.

General Outline and Position of Buildings on Pecan Farm  
with Regard to Sightings (1975-1996)

